



# A-960-23

## 2.3 GHz Base/Mobile Antennas

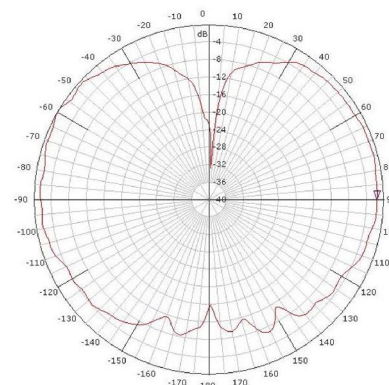
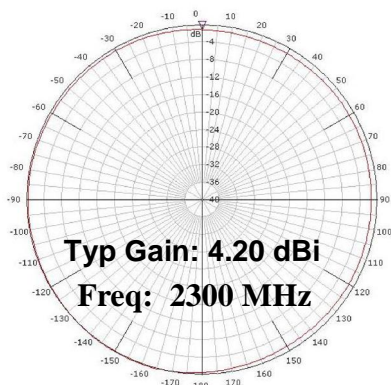
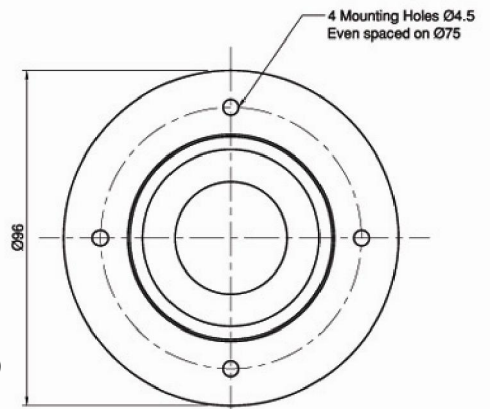
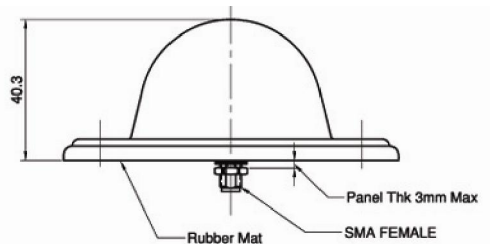


This Omni directional Antenna is designed for Digital Data Mobile Communication Systems, particularly WiMAX (USA), specifically optimised for 2.3 GHz in both pattern and VSWR.

The unit is suitable for both Mobile and Base Station applications with gain measured at better than 4.0 dBi. See associated test plots.

### Specification

|                          |  |
|--------------------------|--|
| Operation frequency      | 2.3 GHz +/-50 MHz  |
| RF Gain                  | 4.2 dBi  |
| Radiation Pattern        | Omni (see patterns)                                      |
| Polarization             | Vertical Linear  |
| 3dB Beamwidth Horizontal | 360 Deg.   |
| 3dB Beamwidth Vertical   | 40 Deg.  |
| Downtilt                 | 20 Deg.  |
| Impedance                | 50 ohm   |
| Input VSWR               | < 1.2 : 1  |
| Input RF Power           | 30w max  |
| Operation Temp           | -40 to + 80C   |
| Humidity                 | 100%   |
| RF Connector             | SMA-F (A-960-23-17S-X)<br>SMA F Rev (A-960-23-17J-X)     |
| Size                     | 96 x 41mm (D x H)  |
| Weight                   | 0.1 kg   |
| Radome Material          | ABS White (A-960-23-17S-W)<br>ABS Black (A-960-23-17S-B) |



Rojone Pty Ltd confirms that this product complies with EU Directive 2002/95/EC (RoHS) and contains no prohibited products including lead solders.