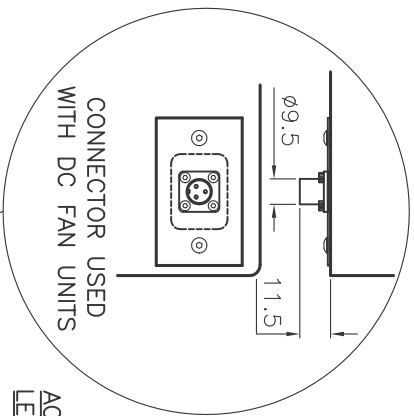
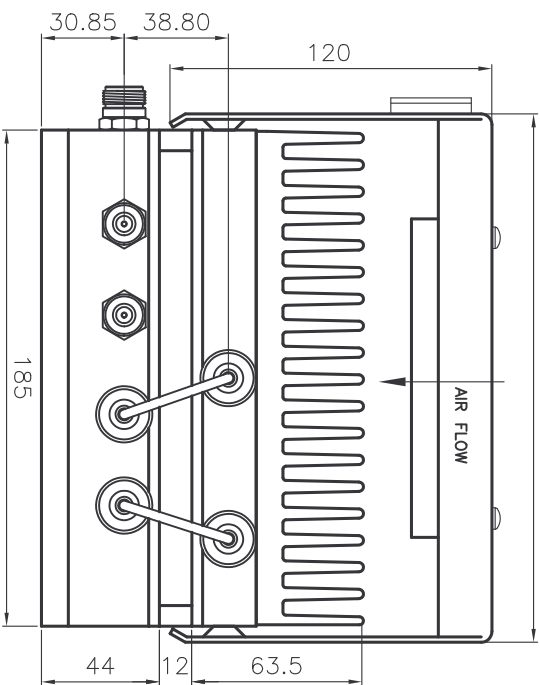
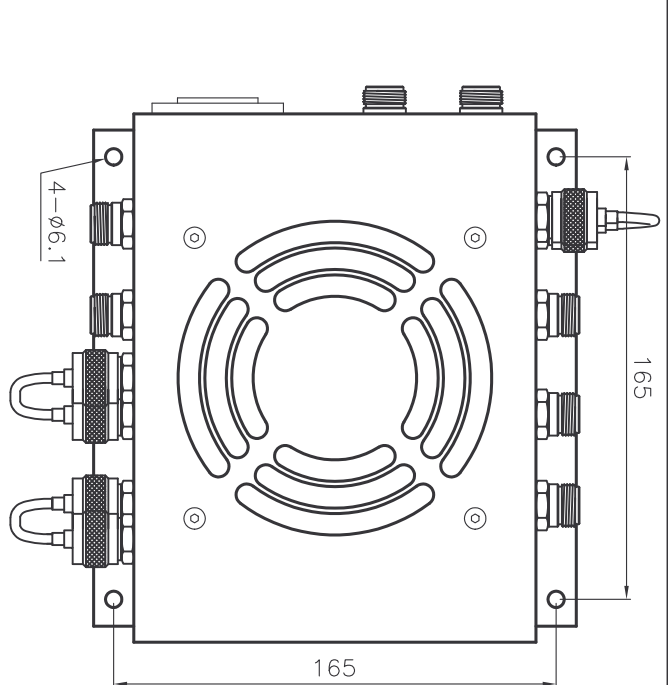
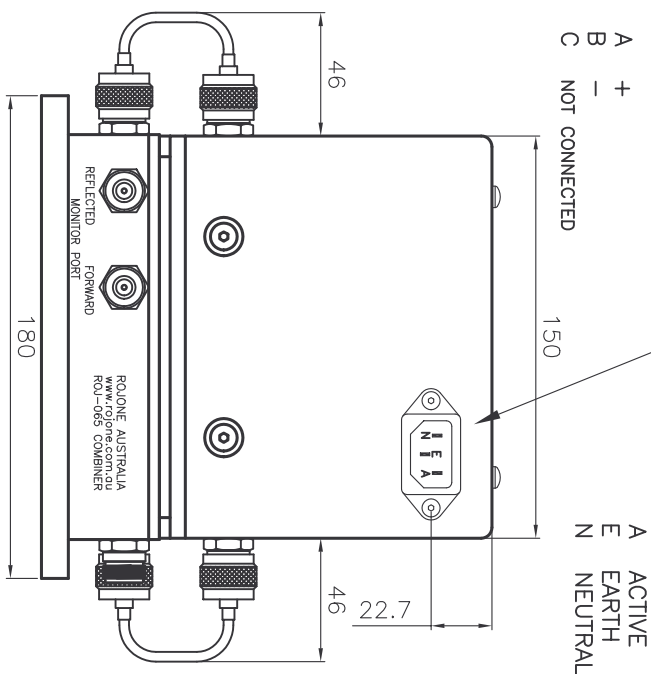


1	2	3	4	5	6	7	8	9	10	11	12	
REVISIONS		3rd ANGLE PROJECTION	THIS DOCUMENT AND THE DESIGN SHOWN THEREON IS THE PROPERTY OF ROLONE PTY LTD AND MUST NOT BE SOLD, LENT, GIVEN AWAY, COPIED, REPRODUCED OR OTHERWISE DIVULGED TO ANY THIRD PARTY OR USED FOR MANUFACTURE.									DO NOT SCALE
A	ISSI ZONE	DESCRIPTION PER REQUEST/DATE										REVISION
B		Improve drawing format										DATE
												CHECKED



DC PIN LEGEND
 A +
 B -
 C NOT CONNECTED

AC PIN LEGEND
 A ACTIVE
 E EARTH
 N NEUTRAL



SPECIFICATIONS

FREQUENCY RANGE - 800 TO 2200MHz
 OPERATING TEMPERATURE - -40° TO +85° CELSIUS (SEE NOTE 3)
 STORAGE TEMPERATURE - -55° TO +95° CELSIUS
 WEIGHT - 6.2 kg (14lb)

COMBINER

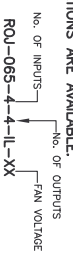
POWER HANDLING - 400W (100W PER INPUT)
 INSERTION/TRANSMISSION LOSS - 6.5dB ±1dB (Typ) (INCLUDING DISSIPATIVE LOSS)
 DISSIPATIVE LOSS - 0.5dB (Typ)
 ISOLATION - 20dB (Typ)
 RETURN LOSS - 20dB (Typ)
 MONITOR PORT COUPLER COUPLING VALUE (OUTPUT A) - 30dB NOMINAL
 WEIGHT - 2.6 KILOGRAMS (5lb)

LOAD

POWER HANDLING - 100W PER INPUT (Ø25°C) (SEE NOTE 3)
 RETURN LOSS - 20dB
 WEIGHT - 3.6 kg (7lb)

NOTES:

- FOR ASSEMBLY DRAWING SEE 001002250019 COMBINER & LOAD ASSEMBLY DRAWING
 - FOR COMBINER INTERFACE DRAWING SEE 001002250011
 - OPERATING TEMPERATURE FOR LOAD IS DEFINED AS THERMAL INTERFACE TEMPERATURE NOT AMBIENT. FOR LOAD INTERFACE DRAWING SEE 001002250018
 - ROLONE PART No. DESIGNATION ROJ-065-4-4 IS PICTURED. OTHER CONFIGURATIONS ARE AVAILABLE.
- UNUSED INPUTS ARE TERMINATED USING 2W TERMINATIONS.
 MONITOR PORTS ARE TERMINATED USING 1W TERMINATIONS.
 UNUSED OUTPUTS ARE TERMINATED USING THE INTERGRATED LOAD ASSEMBLY (001002250018) (100W PER INPUT).
 LOWER POWER TERMINATIONS ARE AVAILABLE
- 5/ ALL CONNECTORS ARE FEMALE N-TYPE WITH 12 TO 15 INLBS (1.30Nm - 1.70Nm) MATING TORQUE.



ROLONE PTY LTD ACN 002891241
 81 AERO RD INGLEBURN 2665
 SUDBURY, AUSTRALIA
 Ph: (012) 9829 1555 Fax: (012) 9805 8812
 Web: www.rolone.com.au E-mail: sales@rolone.com.au

TITLE
 COMBINER & LOAD
 INTERFACE DRAWING

DWG No: 001002250020

MATERIAL	ALUMINIUM	FINISH	PAINTED
DRAWN	A. FABAL	CHECKED	M. TOBIAS
SCALE	1:1	SHEET	1 OF 1
APPROVED	LIANOSKA	FILENAME	001002250020ISSB.DWG

ALL SPECIFICATIONS SUBJECT TO CHANGE
 UNLESS OTHERWISE STATED ALL DIMENSIONS ARE IN MILLIMETRES (mm)
 TOLERANCE: LINEAR ±0.1 ANGULAR ±1°
 REMOVE ALL BURRS AND SHARP EDGES