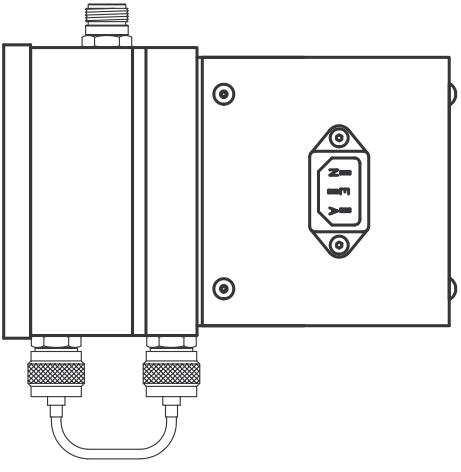
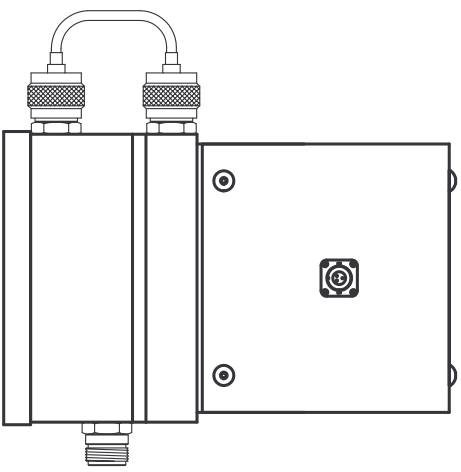
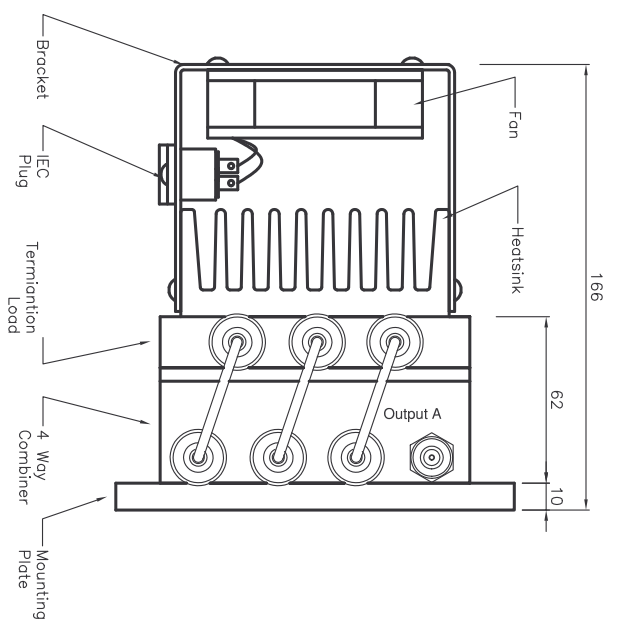
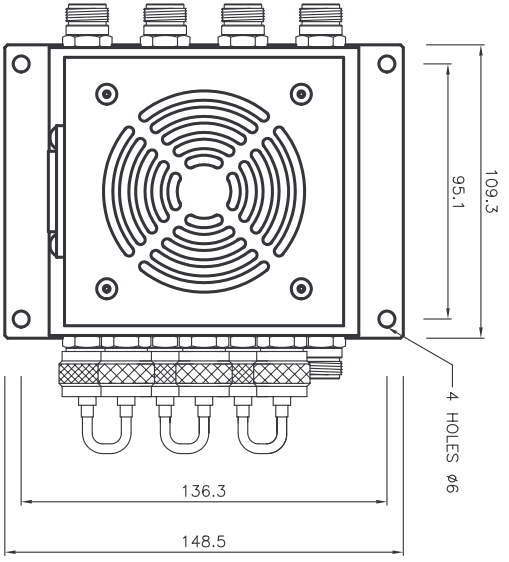
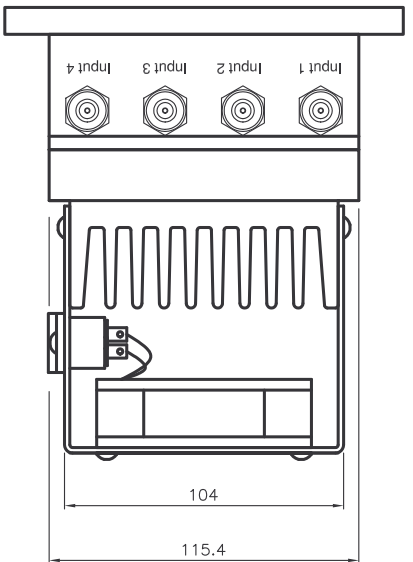


REV	DESCRIPTION PER REQUEST/DATE
A	ISSI ZONE
B	Modified title text; Add port legend.
c	New design of lid and mounting plate.
D	SWITCH PLUG POSITION MODIFIED
E	Add spec of load.



**SPEC for Termination Load**

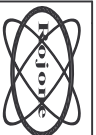
FREQ: 0 ~ 2.5GHz  
 INPUT POWER: 50W per PORT  
 VSWR: <1.2 : 1  
 IMPEDANCE: 50 Ohm  
 HUMIDITY: < 90%  
 OP TEMP: -10 ~ +50 °C  
 DC FOR FAN: 12V / 24V / 48V  
 AC FOR FAN: 240V  
 RF CONN: N - F  
 SIZE: 116 x108 x118 mm  
 Excl. connectors

**SPEC for 4 Way Combiner ROJ-073**

FREQ: 800-2500MHz  
 ISO: 20dB MIN. ADJACENT PORTS  
 30dB MIN NON-ADJACENT  
 RTN LOSS: 20dB TYP. TO 3GHz  
 TX LOSS: 6.5dB ±0.7dB MAX. TO 2.5GHz  
 INSERTION LOSS: 1dB MAX. (INC IN TX LOSS SPEC)  
 POWER LOSS: 100W PER PORT  
 IMPEDANCE: 50 Ohms  
 CONNECTOR: N-F

Option 2: DC Plug  
Tasimi R05-RB3M

Option 1: AC Plug  
10A Flange Fixing Plug



ROLONE PTY LTD ACN 002891241  
 81 AERO RD INGLEBURN 2565  
 SUDBURY VIC 3658  
 Tel: (012) 9829 1555 Fax: (612) 9805 8812  
 Web: www.rolone.com.au E-mail: sales@rolone.com.au

TITLE: INTERFACE DRAWING FOR HP 4 WAY 2.5GHz NETWORK COMBINER ROJ-073  
 DRAWING No: 001002250070

UNLESS OTHERWISE STATED ALL DIMENSIONS ARE IN MILLIMETRES (mm)  
 TOLERANCE: LINEAR ±0.1 ANGULAR ±1° REMOVE ALL BURRS AND SHARP EDGES

FINISH	N/A	DRAWN	Y. GU	SCALE	1:1	SHEET	1 OF 1
APPROVED	B. G.	CHECKED	B. G.	FILENAME	001002250070ISSD.DWG	A1	

REV	DATE	CHECKED
A	13-05-2004	B. G.
b	21-05-2004	B. G.
c	19-10-2004	B. G.
D	20-10-2004	B. G.
E	17-03-2005	B. G.

DO NOT SCALE