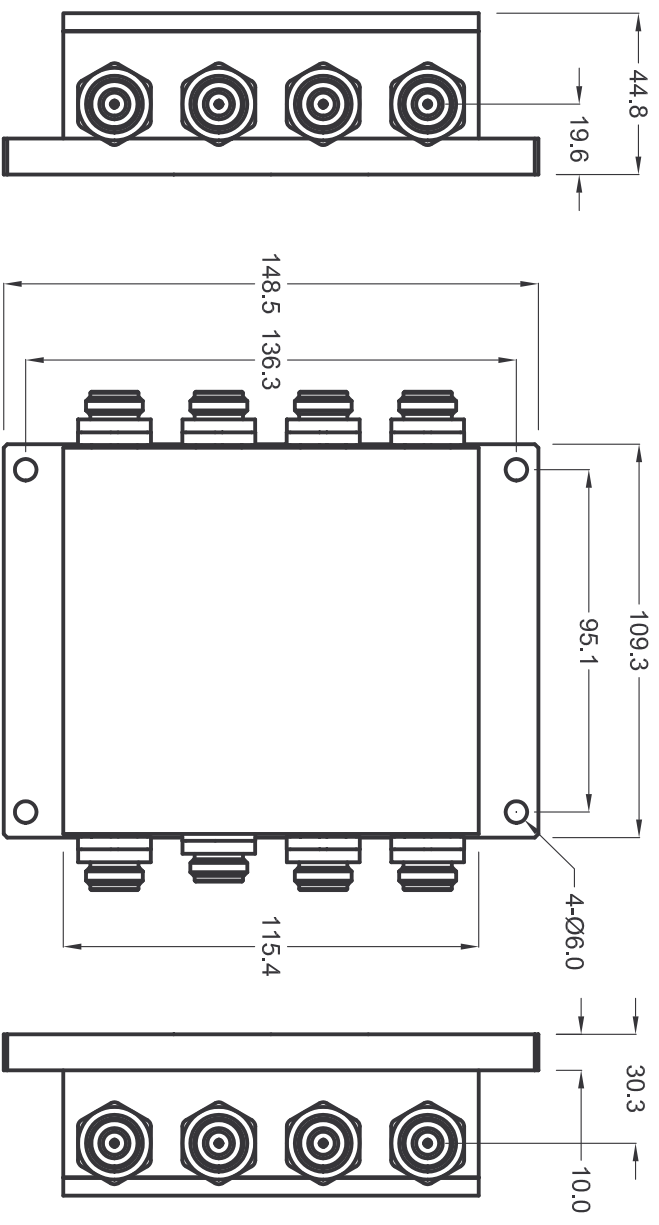
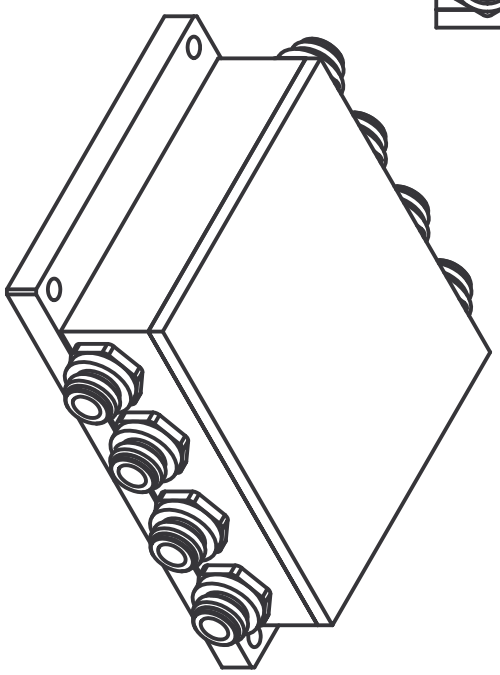
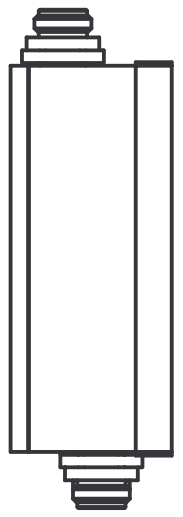


1	2	3	4	5	6	7	8	9	10	11	12	
REVISONS		3rd ANGLE PROJECTION		THIS DOCUMENT AND THE DESIGN SHOWN THEREON IS THE PROPERTY OF ROJONE PTY LTD AND MUST NOT BE SOLD, LENT/LOAN ANY, COPIED, REPRODUCED OR OTHERWISE DIVULGED TO ANY THIRD PARTY OR USED FOR MANUFACTURE.								DO NOT SCALE
DESCRIPTION/PER REQUEST												
MODIFIED HEIGHT OF HOUSING BOX												



SPECIFICATION
for ROJ-073

FREQ: 800-2500MHZ
 ISO: 20dB MIN. ADJACENT PORTS
 30dB MIN NON-ADJACENT
 RTN LOSS: 20dB TYP. TO 3GHZ
 TX LOSS: 6.5dB ±0.7dB MAX. TO 2.5GHZ
 INSERTION LOSS: 1dB MAX. (INC IN TX LOSS SPEC)
 POWER: 100W PER PORT
 IMPEDANCE: 50 Ohms
 CONNECTOR: N-F



ROJONE PTY LTD ACN 002691241
 61 ASHO RD INGLEBURN 2565
 STONEY, AUSTRALIA
 Ph: (612) 9829 1555 Fax: (612) 9605 8812
 Web: www.rojone.com.au E-mail: sales@rojone.com.au

TITLE
 INTERFACE DRAWING FOR
 4 WAY COMBINER ROJ-073

MATERIAL: SEE TABLE 1
 FINISH: SEE TABLE 1
 DRAWN: Y. GU
 CHECKED: H. JIA
 APPROVED: I.JANOSKA
 SCALE: 1:1
 SHEET: 1 OF 1
 FILENAME: 001002250070ISSD.DWG

UNLESS OTHERWISE STATED ALL DIMENSIONS ARE IN MILLIMETRES (mm)
 TOLERANCE: LINEAR ±0.1 ANGULAR ±1° REMOVE ALL BURRS AND SHARP EDGES

1	2	3	4	5	6	7	8	9	10	11	12
A2											REVISION
A2											DATE
A2											CHECKED
A2											H. JIA
A2											B
A2											30-08-01