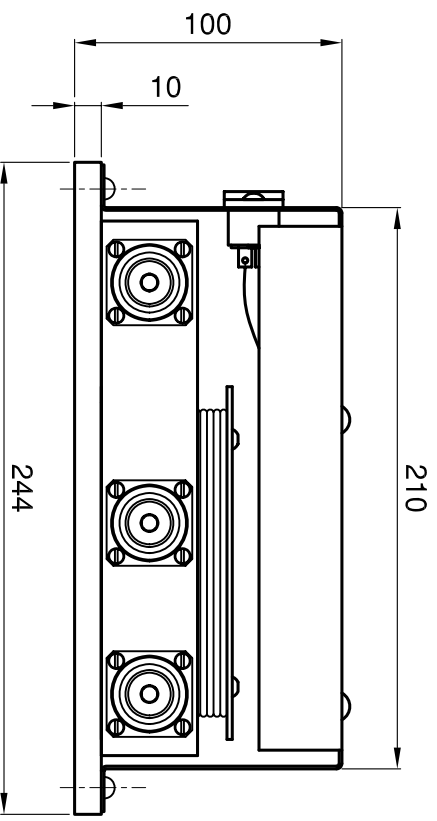
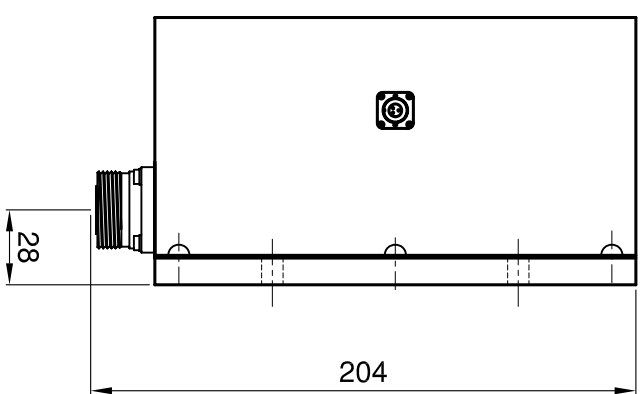
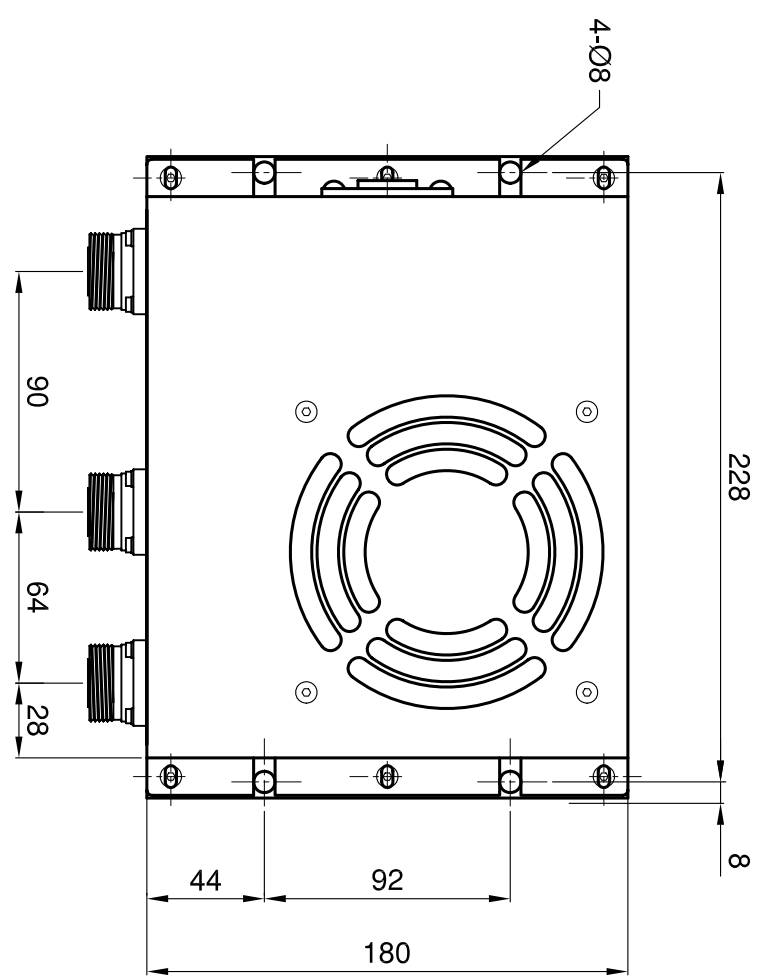
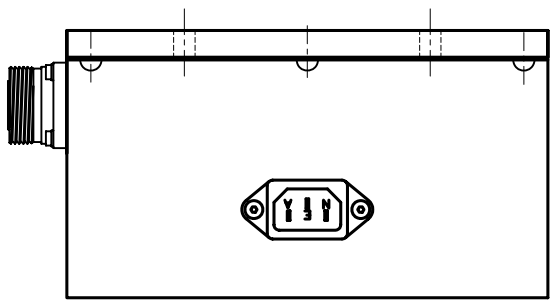
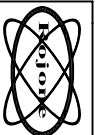


1	2	3	4	5	6	7	8	9	10	11	12	
REVISIONS		3rd ANGLE PROJECTION	THIS DOCUMENT AND THE DESIGN SHOWN THEREON IS THE PROPERTY OF ROJONE PTY LTD AND MUST NOT BE SOLD, LENT, GIVEN AWAY, COPIED, REPRODUCED OR OTHERWISE DIVULGED TO ANY THIRD PARTY OR USED FOR MANUFACTURE. DO NOT SCALE									
A	ISSI ZONE	DESCRIPTION	PER REQUEST	DATE								



SPEC

Part No: ROJ-072-3HYB-716
 Freq: 800-2500MHz
 VSWR: <1.2:1 All ports
 Input RF Power: 100 Watts Max. per Port
 Isolation: >20dB
 Op Temp: -40 to +60 °C
 IM: <-150dBc @43dBm x2
 Conn: DIN 716 Female
 Size: 244x180x100 mm + Conn.



ROJONE PTY LTD ACN 002891241
 81 AERO RD INGLEBURN 2985
 SUDBURY VIC 3218
 Ph: (012) 9829 1555 Fax: (612) 9805 8812
 Web: www.rojone.com.au E-mail: sales@rojone.com.au

TITLE: INTERFACE DRAWING FOR LOW IM COMBINER ROJ-072-3HYB-716
 DWG No: 001002250137

UNLESS OTHERWISE STATED ALL DIMENSIONS ARE IN MILLIMETRES (mm) TOLERANCE: LINEAR ±0.1 ANGULAR ±1° REMOVE ALL BURRS AND SHARP EDGES

MATERIAL	N/A	DRAWN	Y. GU	SCALE	1:1	SHEET	1 OF 1
FINISH	N/A	CHECKED	H. JIA	FILENAME	001002250137ISSA.DWG		
		APPROVED	B. G.				
			A1				