



N Female Bulkhead Crimp, suit RG174 (Model: RO-N174FBC)

Specifications

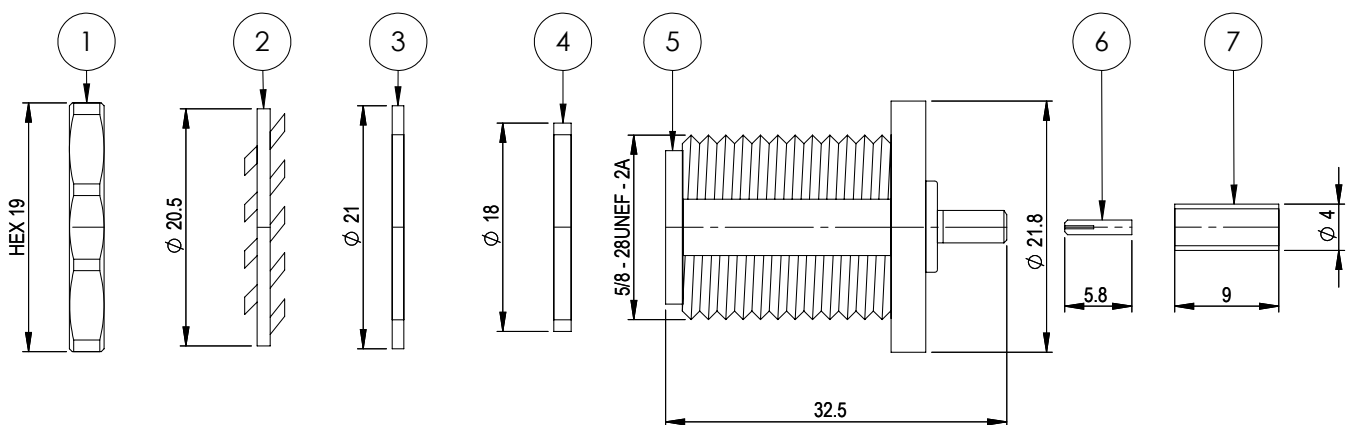


Materials / Finish

Nut (1)	Brass / CuSnZn
Spring Washer (2)	Brass / CuSnZn
Washer (3)	Brass / CuSnZn
Gasket (4)	Silicone Rubber
Body (5)	Brass / CuSnZn
Centre Conductor (6)	Bronze / Nickel, Au
Ferrule (7)	Brass / CuSnZn
Insulator (8)	PTFE

Electrical Specifications

Frequency	0 - 3 GHz
Impedance	50 Ohms
VSWR	≤ 1.3 : 1
Suit Cable	RG174, RG316, RG188, LMR-100 Series



CABLE STRIPPING RECOMMENDATION

